

 **BIESSE COSMO**

Self-adjusting electromechanical clamp



When competitiveness means automated machining



Made **In** Biesse

The market demands

a **change in manufacturing processes**

that enables companies to accept the largest possible number of orders. This is coupled with the need to maintain high quality standards with **quick and reliable delivery times**.

Biesse meets these requirements

with **technological solutions** that influence and support technical expertise as well as process and material knowledge. The **Cosmo** electromechanical clamp is the ideal solution for meeting all assembly needs for furniture both for the artisan and in the **made-to-measure production departments** of the industry.

- ✓ **Reduced assembly time.**
- ✓ **User-friendly.**
- ✓ **Compact and ergonomic.**

A small investment,
high quality



COSMO

Self-adjusting electromechanical clamp



Reduced assembly time

**Plug-and-play solution.
All you need is electricity.**

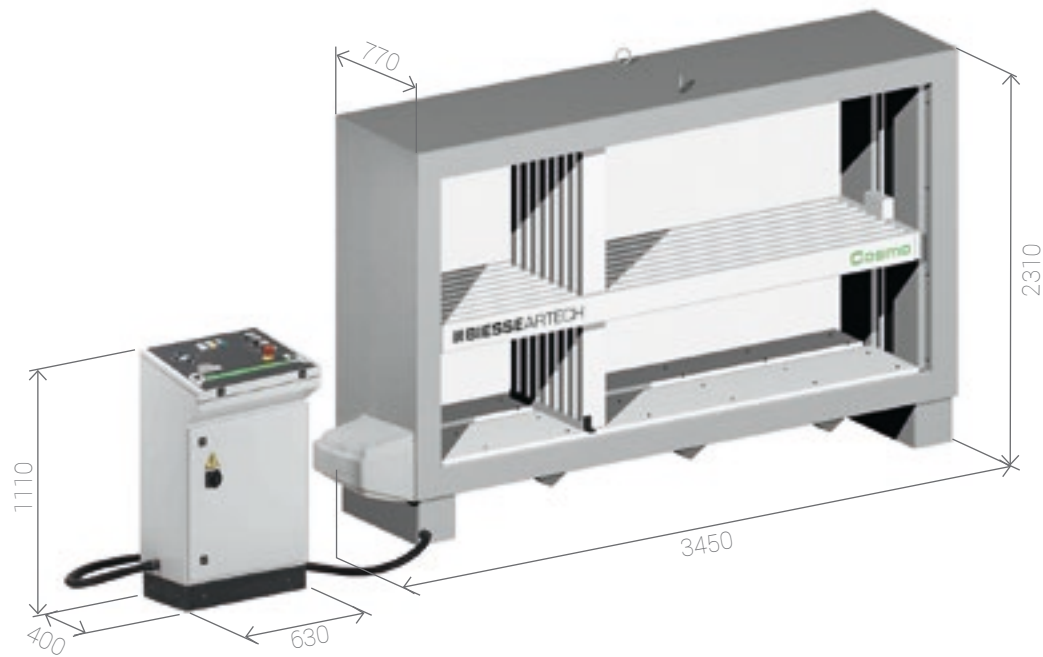


Self-adjustment.
After placing the item of furniture on the work table, the cycle starts and, without tooling, the vertical and horizontal presser surfaces move towards the item and press it for the length of time programmed on the timer.



Machine dimensions are reduced so that it can be installed in any type of environment.

Technical specifications



Working dimensions

	mm	inch
Lunghezza utile (min-max)	300-2500	11.8-98
Profondità massima	700	27
Altezza utile (min-max)	300-1300	11.8-51.1
Altezza piano di lavoro	500 (700 opz.)	20 (27 opt.)

Weighted surface noise level A (L_{pfA}) during machining for operator workstation: 80.4 dB (A)
 Weighted noise level A (L_{wA}) during machining for operator workstation: 98.9 dB (A) K measurement uncertainty dB(A): 4 dB (A)

The measurement was carried out in compliance with UNI EN 848-3:2007, UNI EN ISO 3746: 2009 (sound power) and UNI EN ISO 11202: 2009 (sound pressure levels at workstation) during panel machining. The noise levels shown are emission levels and do not necessarily correspond to safe operation levels. Despite the fact that there is a relationship between emission and exposure levels, this may not be used in a reliable manner to establish whether further measures need to be taken. The factors determining the exposure level for the workforce include length of exposure, work environment characteristics, other sources of dust and noise, etc. i.e. the number of other adjoining machines and processes. At any rate, the above information will enable the operator to better evaluate dangers and risks.

Reliable technology

The pressing parts move along strong trapezoidal screws and are driven by asynchronous motors which develop a pressing force of up to 12,000 N without using compressed air. The vertical and horizontal pressing forces can be independently adjusted.

ASSEMBLING SOLUTIONS

The strong electro-welded steel structure and perfect squareness of the pressers guarantee perfect assembly of different types of furniture in much less time.

A perfect combination of Biesse technology and Italian genius.



Made **With** Biesse

The Biesse Group's technology supports the manufacturing efficiency of the world's largest furniture manufacturers

"We were looking for a solution that would be so innovative that it would satisfy all our needs at the same time," states the manufacturing manager of one of the world's largest furniture manufacturers.

"Most of our production was already made using numerical control tools, but now everything that we produce is made with these technologies.

This is why it was necessary to increase our production capacity. Biesse offered a solution that we liked very much, a

veritable range of processing centres and automatic magazines. Innovative, fascinating and decidedly powerful.

With Biesse we defined a "turnkey" solution to be planned, built, tested, installed, inspected and commissioned within a precisely defined schedule".

Source: excerpt from an interview with the manufacturing manager of one of the world's largest furniture manufacturers.



Biesse Group

In

1 industrial group, 4 divisions.
and 8 manufacturing sites.

How

€ 14 million p/a in R&D and 200 patents registered.

Where

30 branches and 300 agents/certified dealers.

With

customers in 120 countries, manufacturers of furniture,
design items, door/window frames and components for the
construction, ship-building and aerospace industries.

We

2,800 employees worldwide.

Biesse Group is a global leader in the technology for
processing wood, glass, stone, plastic and metal.

Founded in Pesaro in 1969, by Giancarlo Selci, the
company has been listed on the Stock Exchange (STAR
segment) since June 2001.

 **BIESSEGROUP**

 **BIESSE**

 **INTERMAC**

 **DIAMUT**

MECHATRONICS

